



Arthritis & Osteoporosis
WESTERN AUSTRALIA
Something can be done

Remember to floss
today



Arthritis & Osteoporosis
WESTERN AUSTRALIA
Something can be done

Remember to clean
your teeth tonight



Arthritis & Osteoporosis
WESTERN AUSTRALIA
Something can be done

Teeth





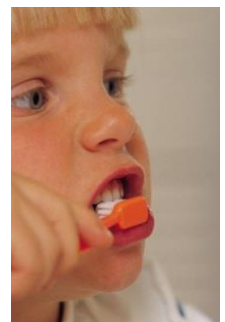
Toothpaste



Tooth brush

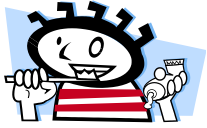


Brush up
brush down

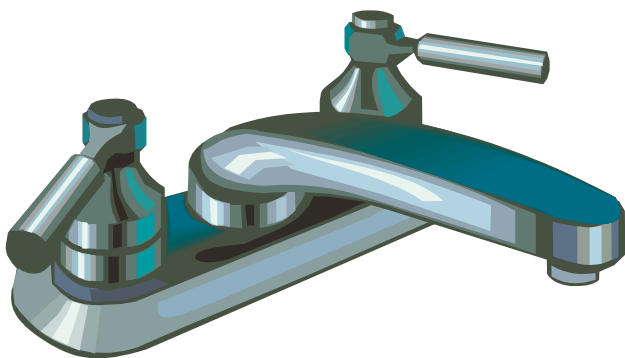




Clean your teeth this morning



Smile



Turn off the tap



Save water